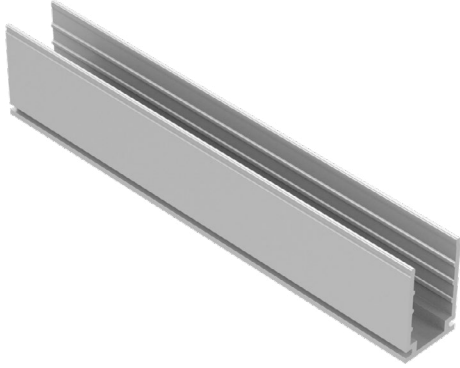
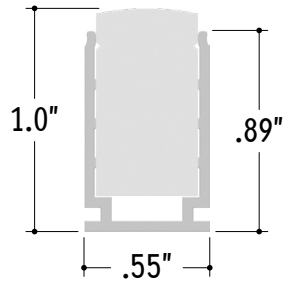


Perspective View



Assembled End View

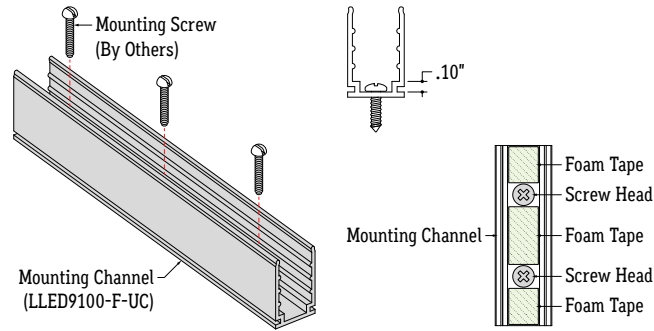


1 Measure area where luminaire will be installed. Use a laser line to create a reference along installation area, ensuring accurate placement of mounting channels. Mark location where each mounting channel segment will be installed along reference line.

2 Lay mounting channels along reference line and pre-drill using an appropriate drill bit for surface material and screw size. Use at least 3 screws per mounting channel segment, evenly spaced. Drill additional holes as needed.

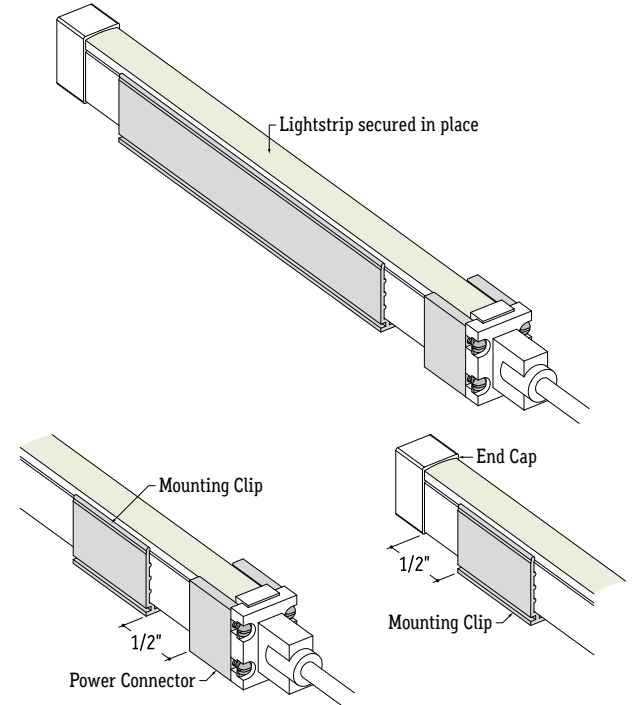
3 Screw mounting channels to surface. Use pan head screws with a head thickness less than .10". For downward and outward facing applications, use double sided tape within each mounting channel. Do not tape over screws.

Recommendation: 3M 4008 3/8" Double Sided Foam Tape



4 Install lightstrip into mounting channels. Ensure the lightstrip fits snugly into the channels. If lightstrip is loose, remove lightstrip and lightly squeeze channel to make the opening smaller.

Note: Leave a 1/2" gap between channel and power connector or end cap.



BEND RADIUS

Minimum Bend Radius: 2"

The minimum bend radius refers to the smallest bend radius the lightstrip is capable of withstanding. Bending beyond the minimum bend radius can damage the internal circuitry.

