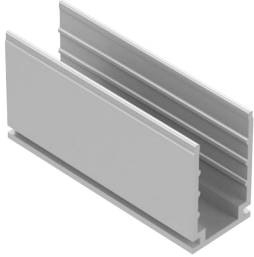
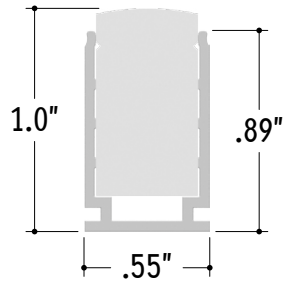


Perspective View

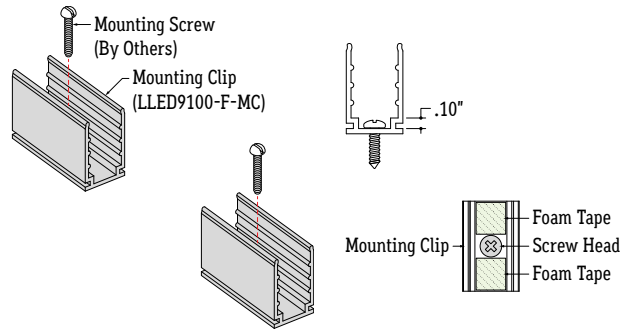


Assembled End View



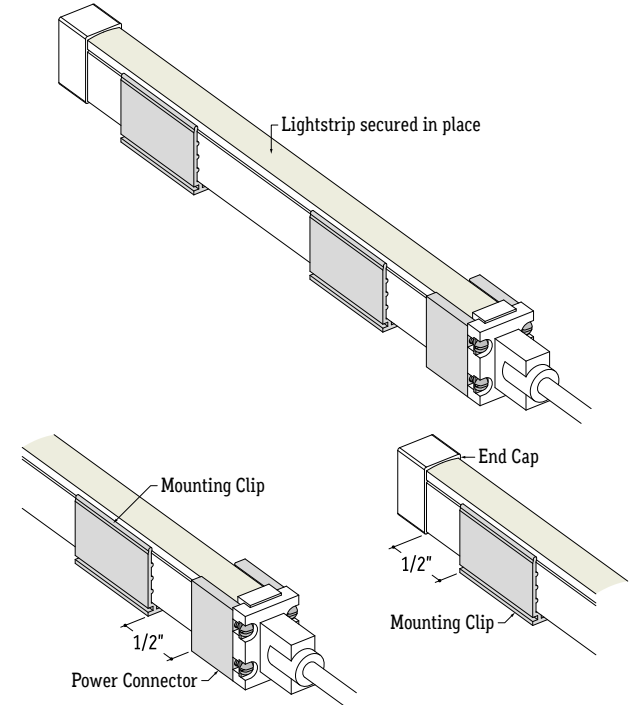
- 1 Measure area where luminaire will be installed. Use a laser line to create a reference along installation area, ensuring accurate placement of mounting clips. Mark location where each mounting clip will be installed along reference line.
- 2 Use 3 mounting clips per 1', rounded up.
- 3 Lay mounting clips along reference line and pre-drill using an appropriate drill bit for surface material and screw size.
- 4 Screw mounting clips to surface. Use pan head screws with a head thickness less than .10". For downward and outward facing applications, use double sided tape within each mounting clip. Do not tape over screws.

Recommendation: 3M 4008 3/8" Double Sided Foam Tape



- 5 Install lightstrip into mounting clips. Ensure the lightstrip fits snugly into each mounting clip. If lightstrip is loose, remove lightstrip and lightly squeeze mounting clip to make the opening smaller.

Note: Leave a 1/2" gap between mounting clip and power connector or end cap.



BEND RADIUS

Minimum Bend Radius: 2"

The minimum bend radius refers to the smallest bend radius the lightstrip is capable of withstanding. Bending beyond the minimum bend radius can damage the internal circuitry.

